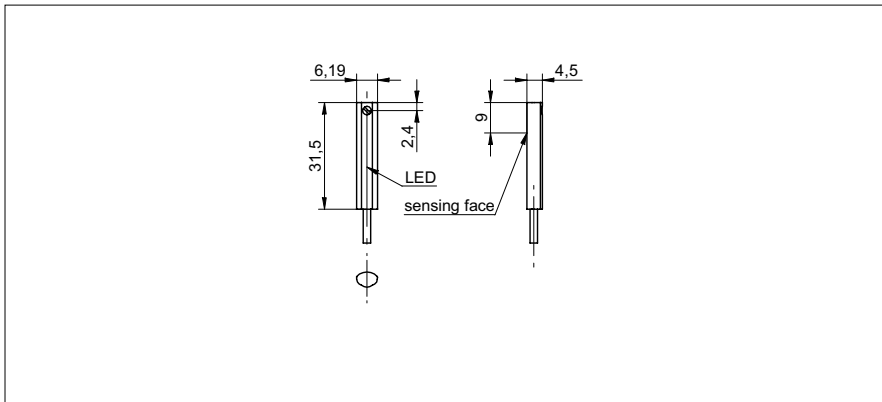


# Magnetic cylinder sensors

# MZTK 06N1013

### dimension drawing



### general data

|                         |                   |
|-------------------------|-------------------|
| type                    | magneto-resistive |
| version                 | T-slots           |
| nominal operation point | 4 mT              |
| difference ON-OFF       | 0,5 ... 1,5 mT    |
| output indicator        | LED yellow        |

### electrical data

|                                    |                    |
|------------------------------------|--------------------|
| switching frequency                | < 200 kHz          |
| response time / release time       | < 0,0025 ms        |
| output circuit                     | NPN                |
| current consumption max. (no load) | 12 mA              |
| output current                     | < 200 mA           |
| voltage supply range +Vs           | 6 ... 30 VDC       |
| output function                    | normally open (NO) |
| voltage drop Vd                    | < 1 VDC            |
| reverse polarity protection        | yes                |
| short circuit protection           | yes                |

### mechanical data

|                  |                           |
|------------------|---------------------------|
| cable output     | axial                     |
| connection types | cable PUR 3 x 0,08, 2,5 m |
| type             | rectangular               |
| depth            | 31,5 mm                   |
| width / diameter | 6,2 mm                    |
| height / length  | 4,5 mm                    |
| housing material | PA66                      |

### ambient conditions

|                       |                |
|-----------------------|----------------|
| operating temperature | -40 ... +70 °C |
| protection class      | IP 67          |

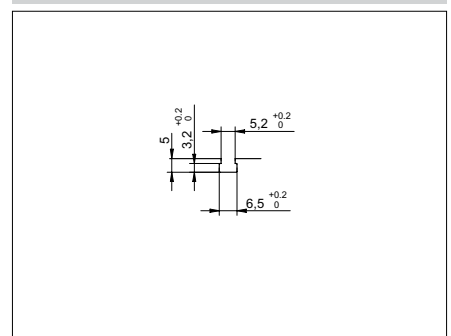
### photo



### connection diagram



### installation drawing



• Oil- and salt water climate resistant